



## The Transrector™ All Servo Changeover Case Erector

The Transrector™ provides the ultimate benefits in case erecting flexibility. The Transrector™ features an all servo controlled changeover. With a push of a button all the dimensions on the case and pattern formation are changed. In addition, the Transrector™ incorporates a Flat Stack Magazine™ and Cartesian Robot case erecting technology. This unique combination eliminates tabs and pins on the magazine for fast and repeatable changeover. Therefore, no adjustment of the tabs and pins is required. The Cartesian Robot case pick and erect system is extremely positive and not susceptible to case damage and warpage due to side seam glue issues. All of these features combine to maximize the Transrector's overall operating efficiency.

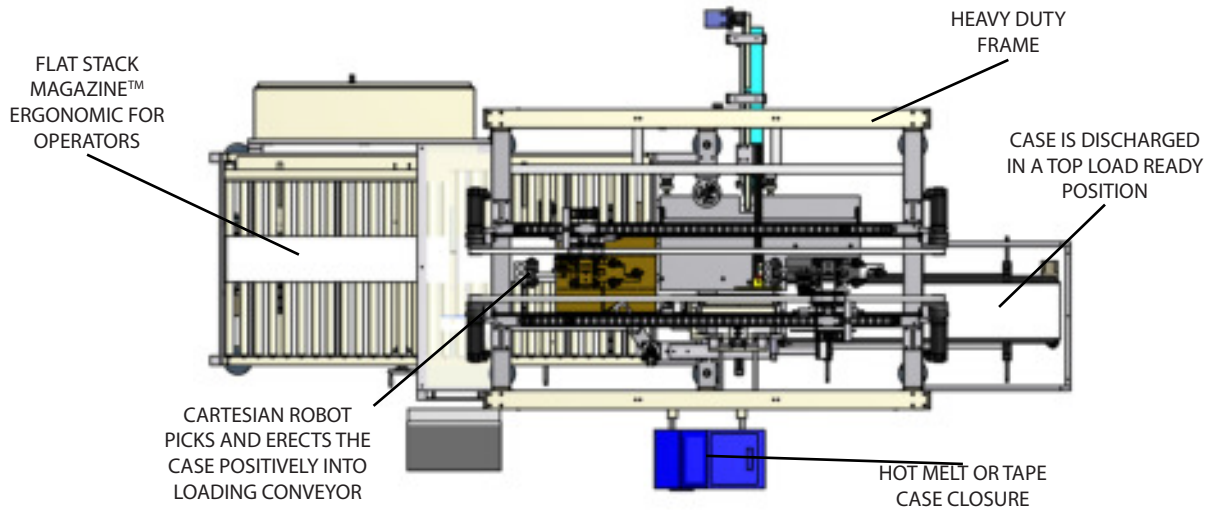
### Features

- » Fully electronic changeover is completed in seconds with no operator intervention
- » On-screen programming allows for the addition or modification of loading patterns and product sizes
- » Above picture shown with glue closure (Tape closure has a smaller footprint)
- » Furnished to comply with Nema 12 ratings
- » Speeds up to 33 cases per minute
- » Heavy duty frame ensures non-stop operation
- » Full guarding with safety interlocks





## Typical Floor Plan



## Key Components



Servo drives and bar code scanning technology on the Transector™ allow for electronic changeover to be completed in seconds with no operator intervention.



Engineered folding and guide rails coupled with advanced gluing technology ensures square cases with limited case rejects and jamming.



Flat Stack Magazine™ and Cartesian Case Erecting eliminates tabs and pins on the magazine for fast repeatable changeover with no adjustments of tabs and pins.

## Case Size Range

Standard		L	W	D
Size Ranges (Inches)	<b>min.</b>	6	6	6
	<b>max.</b>	20	20	20

\* If size outside case size range please check with AFA Representative



## Process

