



## CF-DSS Dual Side Seam Case Former

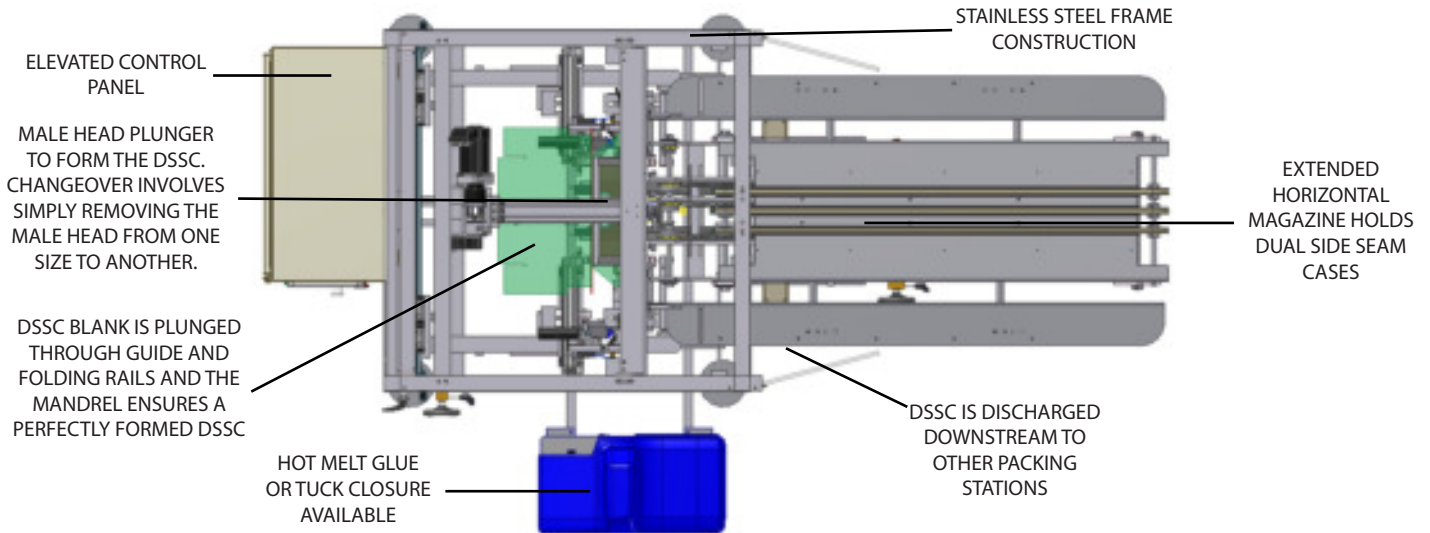
The CF-DSS is an innovative case former from AFA Systems. The CF-DSS uses a mandrel head and guide rails to easily form cases. Furthermore, the forming system is on a vertical orientation which helps save valuable floor-space. Changeover is easily accomplished by simply removing and replacing the mandrel head and adjusting the guide rails. The key benefit of the CF-DSS is its ability to form the Dual Side Seam Case™ (DSSC). The DSSC is a revolutionary new case that offers many advantages over RSC's including less material used, cost savings of up to 20%, and stronger bottom for increased product safety. The CF-DSS comes standard with full guarding and stainless steel construction.

### Features

- » Changeover is quick and simple with the innovative use of a male head plunger to form cartons
- » The use of the Dual Side Seam Case™ offers numerous benefits including improved logistics, improved line efficiencies and lower overall costs
- » Easy loading magazine - simply place DSSC blanks on horizontal magazine
- » Furnished to comply with Nema 12 ratings
- » Small footprint DSSC former can easily fit into your production line



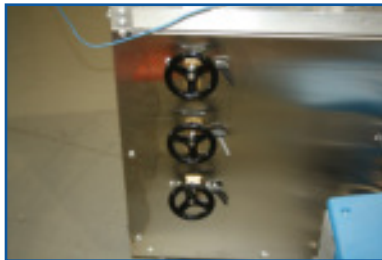
## Typical Floor Plan



## Key Components



Horizontal easy load magazine is ergonomic and can hold a large volume of DSSC's. The horizontal orientation of the magazine makes loading easier and quicker for operators.



Changeover is quick and easy with the use of guide rail adjustment cranks. Changeover simply entails adjusting the rails to accommodate your case and changing the forming head.



Vertical forming head allows the CF-DSS to incur a small footprint. This feature also decreases costs as no female tool is required for forming cases.

## DSSC Size Range

Standard		L	W	H
Size Ranges (Inches)	min.	5	3	2
	max.	16	10	14

\* If size outside DSSC size range please check with AFA Representative



## Process

MALE HEAD TOOL PLUNGES DSSC BLANK THROUGH GUIDE AND FOLDING RAILS

OPERATOR LOADS DSSC BLANKS ONTO VERTICAL MAGAZINE

MALE HEAD USES A VACUUM TOOL TO PULL MAJOR FLAP INTO PLUNGING POSITION

DSSC IS FORMED AND THEN DISCHARGED DOWNSTREAM

